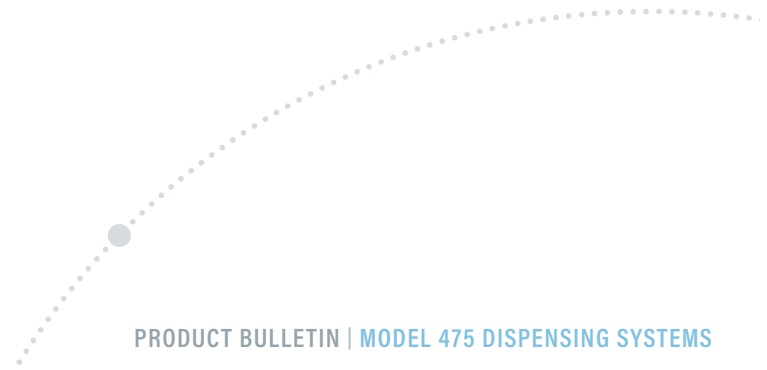


- Ideal for dispensing low- to high-viscosity fluids, including reactive and solvent-based materials
- Internal diaphragm prevents fluid contact with actuating components within the valve, minimizing component damage and necessary maintenance
- Stroke adjustment for precise, micrometer control over dispensing volumes
- Shot-to-shot consistency when used with the DVC-345 valve controller
- Compatible with Dymax packages or UV/Visible light-curable adhesives, epoxy resins, cyanoacrylates, and activator-cured adhesives
- Lightweight, easy-to-handle and mount in automated or bench-top systems
- Systems come with high-quality air regulators for precise fluid control
- The 25-micron air filter regulator includes an integrated shutoff valve and pressure exhaust to quickly and safely depressurize the system, eliminating the need for the operator to open and close the regulator

## Model 475

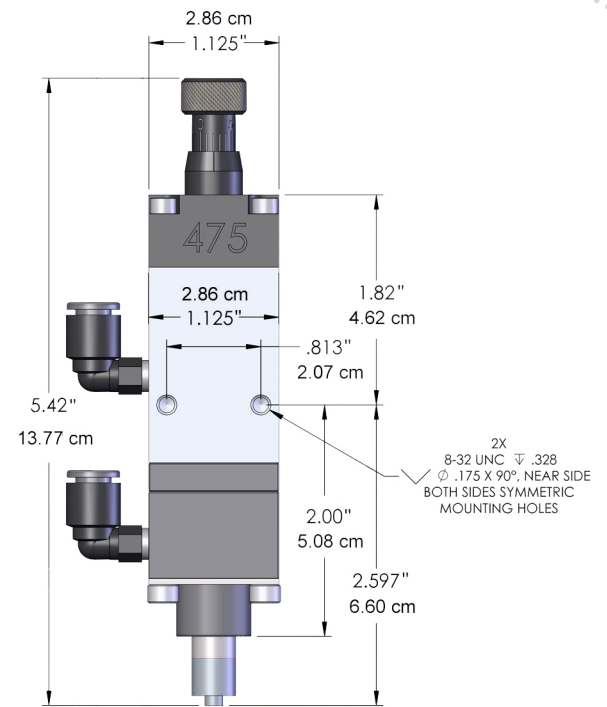
### Diaphragm Valve Dispensing Systems

The Dymax Model 475 dispensing system utilizes a pneumatic, normally closed diaphragm valve to accurately dispense low- to high-viscosity fluids. The internal diaphragm design of the valve prevents fluid from contacting the actuating components within the valve, decreasing wear on the valve's actuating components and minimizing valve maintenance and production down-time. This feature of the valve also makes the system ideal for dispensing reactive materials like cyanoacrylates and solvent-based products. Accurate, repeatable performance can be achieved by utilizing the valve's stroke adjustment to precisely dial-in a desired shot volume.



# Specifications



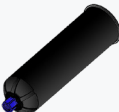


Specifications	
Valve Type	Pneumatic diaphragm valve, normally closed
Construction Materials, Wetted Parts	Body: Acetal Diaphragm: UHMW polyethylene
Operating Air Pressure	60-80 psi (4.14 - 5.51 bar)
Activation	DVC-345 valve controller or 3-way solenoid valve
Maximum Fluid Pressure	120 psi (8.27 bar)
Maximum Operating Temperature	120°F (49°C)
Air Inlet Thread	10-32
Fluid Inlet Tread	1/8 NPT
Fluid Outlet Tread	1/4 - 28
Cycle Rate	3,000 cycles per minute
Free Flow Orifice	0.10" (2.54 mm) diameter; other sizes available
Dimensions (W x H x D)	1.125" x 5.42" x 1.125" (2.86 cm x 13.77 cm x 2.86 cm)
Weight	5 oz (0.14 kg)
Unit Warranty	1 year from purchase



## Available System Packages

Systems Include:

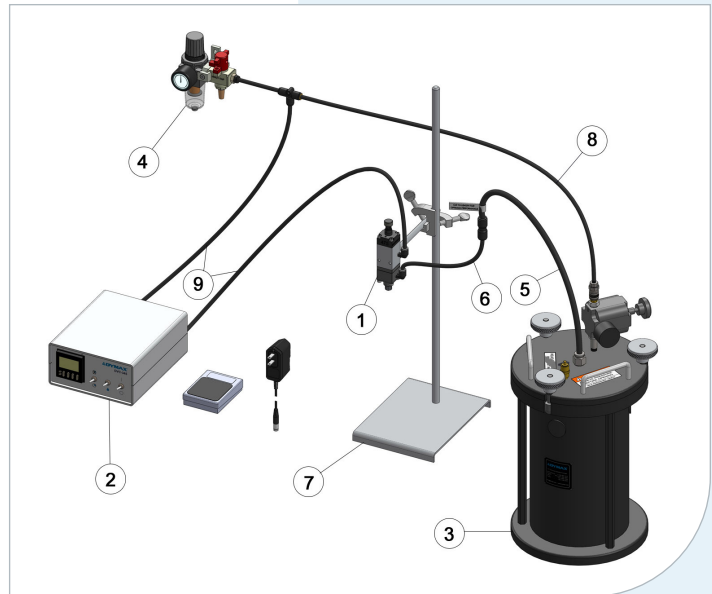
- Model 475 Dispensing Valve
- Selected Reservoir
- DVC-345 Digital Valve Controller
- Mount Assembly, Lab Stand
- Fluid Line Kit - 6 ft of Black 1/4" (6.3 mm) OD tubing and 3/8" - 1/4" (9.5 mm - 6.3 mm) reducer and two 3/8" - 1/4" (9.5 mm - 6.3 mm) stem fitting inserts
- Fluid Line Kit - 6 ft of black 3/8" (9.5 mm) OD tubing
- Air Line Kit - 1/4" (6.3 mm) OD tubing with fitting on one end
- Air Line Kit - 1/4" (6.3 mm) OD tubing
- Air Filter/Regulator - 0-100 psi (0-6.9 bar)
- Air Precision Regulator - Includes three pressure gauges: 0-30 psi, 0-60 psi, & 0-100 psi (0-2 bar, 0-4.1 bar, & 0-6.9 bar)

		System Part Numbers Based on Fluid Package Used				
Valve Only	Complete System Without Reservoir	Cartridge Drop-In			Large Bottle Drop-In	Pail Drop-In
		6 oz [160 mL]	12 oz [300 mL]	20 oz [550 mL]	Up to 1 Gallon	Up to 15 Liters Straight or Taper
						
T15988	T17361	T17362	T17365	T17359	T17369	T17371

Item	Part Number	Description
1	T15988	Model 475 Diaphragm Valve
2	T11146	Model 345 Valve Controller
3	T17004	Bottle Drop-In Tank Assembly with High-Precision Regulator
4	T16307	Filter Regulator with Air On/Off Toggle, 25 Micron
5	T16787	6 Ft of Fluid Line Kit - Black 3/8" OD PE
6	T16793	6 Ft of Fluid Line Kit - Black 1/4" OD PE
7	T15279	24" Lab Stand
8	T16789	Reservoir Airline Kit
9	T16786	Controller Airline Kit

System Specifications	
Compressed Air Supply	80-100 psi (5.5 - 6.9 bar)
Electrical Supply	110/220 VAC

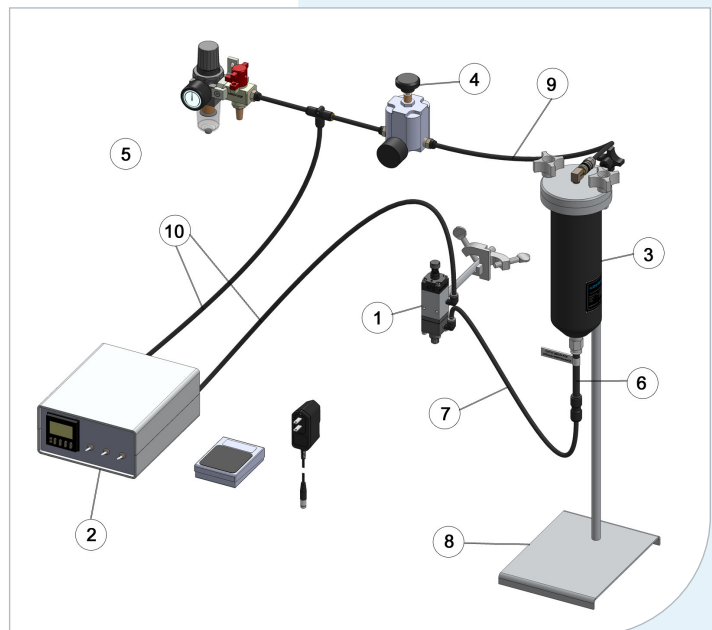
Representative Model 475 Dispensing System  
(T17369 with Large Bottle Drop-in Reservoir Shown Below)



Item	Part Number	Description
1	T15988	Model 475 Diaphragm Valve
2	T11146	Model 345 Valve Controller
3	T15223	550 mL (20 oz) Reservoir
4	T16629	High-Precision Regulator
5	T16307	Filter Regulator with Air On/Off Toggle, 25 Micron
6	T16787	6 Ft of Fluid Line Kit - Black 3/8" OD PE
7	T16793	6 Ft of Fluid Line Kit - Black 1/4" OD PE
8	T15279	24" Lab Stand
9	T16789	Reservoir Airline Kit
10	T16629	High-Precision Regular

System Specifications	
Compressed Air Supply	80-100 psi (5.5 - 6.9 bar)
Electrical Supply	110/220 VAC

Representative Model 475 Dispensing System  
(T17369 with Cartridge Reservoir Shown Below)



### Spare Parts & Accessories

T11146	DVC-345 Digital Valve Controller
T16307	Air Filter Regulator with Air Dump Valve
T16629	High-Precision Air Regulator
T16858	Valve Rebuild Kit