

# EC-Series Flood Lamps with Light Shield & Manual Shutter

1. Unpack the light shield (PN 41175) and remove protective coverings.
2. Unpack the EC-series flood lamp. Install the bulb into the reflector housing ensuring that the bulb is properly seated. If desired, install the fan option to the top of the reflector housing (the fan is available as an option).
3. Unpack the manual shutter. The shutter is shipped with the 5000-EC reflector support plate installed. Remove the support plate by removing the four 8-32 x 3/8" screws (Figure 1).

**NOTE:** This plate is not used when a 2000-EC is used.

4. Unpack the power supply and reflector. Remove the four screws from the Reflector (Figure 2).

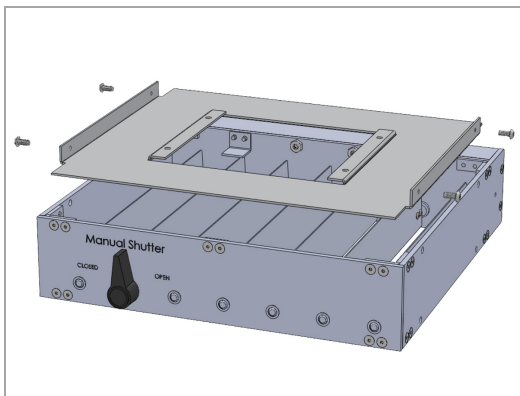


Figure 1. Remove 5000-EC Reflector Support Plate

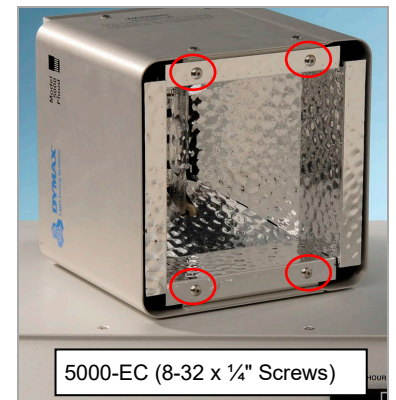
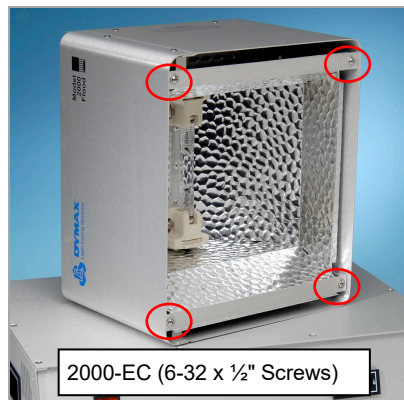


Figure 2. Remove Screws from Reflector

5. If using the 2000-EC reflector, an optional glass filter is available. If desired, install the glass filter plate by removing the two support bars and four spacers from the 2000-EC reflector. Install the glass filter on the reflector and position the four spacers around the filter. Reinstall the two support bars.
6. Fasten the appropriate support plate(s) to the reflector with the four screws removed in step 5 (Figure 3).

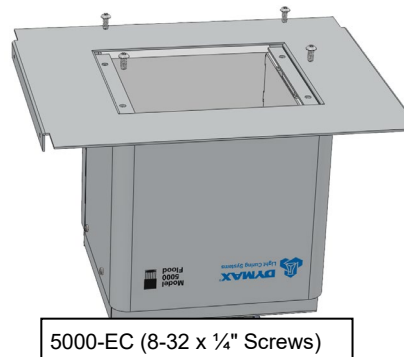
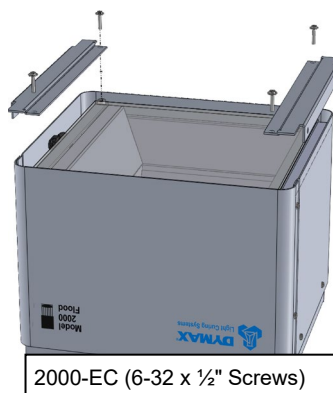
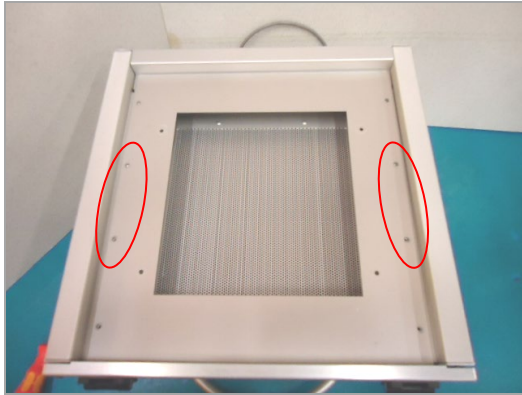


Figure 3. Install Support Plate

7. Place the reflector assembly into the shutter.
8. Remove the four M4 x 8-mm screws from the top of the Light Shield (Figure 4).
9. Place the shutter and reflector assembly into the top of the light shield. Align the holes on the shutter with the holes on the two securing brackets. Install the two securing brackets (Figure 5) using the 8-32 x 3/8" screws provided.

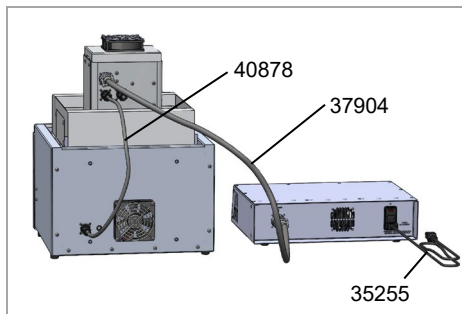


**Figure 4.** Remove Screws from Light Shield



**Figure 5.** Install Securing Brackets

10. Center the shutter on the light shield. When the desired position is achieved, tighten all fasteners.
11. Install cable PN 40878 between the connector on the rear of the light shield and the back of the reflector. Install the large cable between the back of the reflector and the back of the power supply (PN 37904). These cables are color coded to aid assembly. Install the power cable (PN 35255) to the rear of the power supply.
12. Your light shield, manual shutter, and lamp assembly is ready for operation. The shutter may be controlled by means of manual lever on the front of the shutter.



**Figure 6.** Complete System (5000-EC Shown)



**Figure 7.** Complete System (2000-EC Shown)

## Please Refer to Component User Guides for Detailed Operating Instructions



© 2014 Dymax Corporation. All rights reserved. All trademarks in this guide, except where noted, are the property of, or used under license by Dymax Corporation, U.S.A.

Please note that most dispensing and curing system applications are unique. Dymax does not warrant the fitness of the product for the intended application. Any warranty applicable to the product, its application and use is strictly limited to that contained in Dymax's standard Conditions of Sale. Dymax recommends that any intended application be evaluated and tested by the user to insure that desired performance criteria are satisfied. Dymax is willing to assist users in their performance testing and evaluation by offering equipment trial rental and leasing programs to assist in such testing and evaluations. Data sheets are available for valve controllers or pressure pots upon request. QS067 6/12/2014

Dymax Corporation  
860.482.1010 | info@dymax.com | [www.dymax.com](http://www.dymax.com)

Dymax Europe GmbH  
+49 (0) 611.962.7900 | info\_de@dymax.com | [www.dymax.de](http://www.dymax.de)

Dymax Engineering Adhesives Ireland Ltd.  
+353.1.231.4696 | info\_ie@dymax.com | [www.dymax.ie](http://www.dymax.ie)

Dymax Oligomers & Coatings  
860.626.7006 | info\_oc@dymax.com | [www.dymax-oc.com](http://www.dymax-oc.com)

Dymax UV Adhesives & Equipment (Shanghai) Co. Ltd.  
+86.21.37285759 | dymaxasia@dymax.com | [www.dymax.com.cn](http://www.dymax.com.cn)

Dymax UV Adhesives & Equipment (Shenzhen) Co. Ltd.  
+86.755.83485759 | dymaxasia@dymax.com | [www.dymax.com.cn](http://www.dymax.com.cn)

Dymax Asia (H.K.) Limited  
+852.2460.7038 | dymaxasia@dymax.com | [www.dymax.com.cn](http://www.dymax.com.cn)

Dymax Asia Pacific Pte. Ltd.  
+65.6752.2887 | info\_ap@dymax.com | [www.dymax-ap.com](http://www.dymax-ap.com)

Dymax Korea LLC  
+82.2.784.3434 | info\_kr@dymax.com | [www.dymax.com.kr](http://www.dymax.com.kr)